

DUO-FLANGE®

Non-corroding separate split flange



Split flanges offer several advantages as replacement for one-piece flanges in most areas.

- Made of composite material and is completely non-corroding.
- Made by two identical parts which can be fitted from the side – without having the pipes demounted – as well as axially.
- Saves costly working time.
- Allows smaller holes to be made in floor and wall structures, as only the pipe has to pass through and the flange can be fitted afterwards.
- Easier to weld joints from heavier pipes.
- Lower cartages depending on lower volumes when the flanges don't have to be fitted by the manufacturer.
- Eliminates the risk for pinching injuries caused by flanges falling from vertical pipes, as the fitter has the flange in his hands.
- The material – SYMALIT® GMT – has excellent dielectrical characteristics why there is no risk for galvanic corrosion. It has a low weight and is totally recyclable.

AMB INDUSTRI AB

SE-361 53 Broakulla, Sweden

+46 471 485 00

www.amb.se



Plastic parts. Refined.

Material

Symalit®, a composite consisting of fibreglass-armoured polypropylene resin.

Non-corroding.

Use

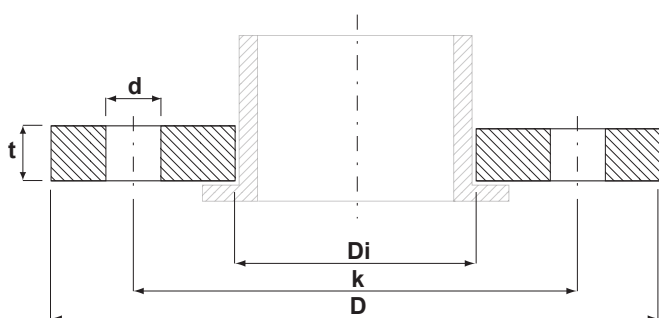
DN 80–150 PN 16

DN 200 PN 10

DIN 2642

Temperature range: -40°C to +80°C

Water and sewer installations.



Testing

Tested by the Swedish Testing Institute.

Patents

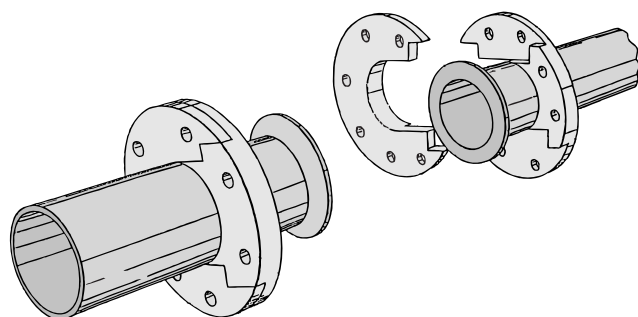
Most EC countries, Norway.

Bolt connection

Use washers underneath bolts and nuts.

Colours

Black.



Part nr	DN mm	D mm	Di mm	t mm	Tightening torque Nm	Weight kg
DUO 080x094	80	200	94	24	70	0,50
DUO 080x098	80	200	98	24	70	0,50
DUO 080x108	80	200	108	24	70	0,50
DUO 100x113	100	220	113	26	70	0,70
DUO 100x119	100	220	119	26	70	0,70
DUO 100x128	100	220	128	26	70	0,70
DUO 100x135	100	220	135	26	70	0,70
DUO 125x138	125	250	138	28	70	0,85
DUO 125x144	125	250	144	28	70	0,85
DUO 125x158	125	250	158	28	70	0,85
DUO 150x164	150	285	164	30	100	1,15
DUO 150x173	150	285	173	30	100	1,15
DUO 150x178	150	285	178	30	100	1,15
DUO 150x188	150	285	188	30	100	1,20
DUO 200x220	200	340	220	38	110	2,00
DUO 200x224	200	340	224	38	110	1,94
DUO 200x240	200	340	240	38	110	1,80

AMB INDUSTRI AB

SE-361 53 Broakulla, Sweden

+46 471 485 00

www.amb.se

